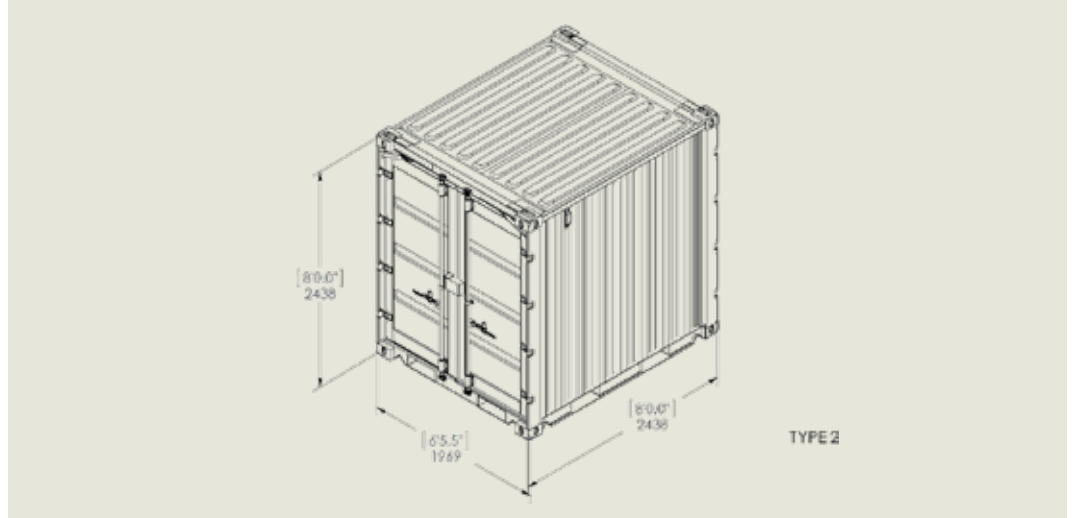


6' 5 1/2" x 8' x 8' TRICON CONTAINER, WITH DOORS ON BOTH SIDES (TYPE 2)
PART NUMBER: NGCS 2022S
NSN 8150-01-533-8673 (TAN - 33446) / NSN 8150-01-533-8674 (GREEN - 34094)



MADE IN THE USA – ISO 9001 CERTIFIED QUALITY SYSTEM

FEATURES

- 16 gauge (1.6 mm) corrugated CORTEN steel side walls, roof, and doors
- Double swing doors on one side with locking rods
- Anti-pilferage hinge pins and bolts, padlock protection box
- Five vertical logistic tracks on each side wall
- Four-way forklift pockets for both unloaded and loaded container
- 8 gauge (4 mm) steel floor
- 20 lashing rings rated at 4,000 lbs. (tested at 6,000 lb.) along top and bottom side rails
- 5 shoring slots on each door corner post to accommodate 2" x 6" lumber shoring system
- Self-draining roof; 2 vents; 3 connecting couplers and storage bracket
- Three shelf decking beams, 2 document holders (optional)
- CARC paint and other colors available
- Certified to CSC and latest ISO standards

SPECIFICATIONS

EXTERNAL			INTERNAL			DOOR OPENING	
Length	Width	Height	Length	Width	Height	Width	Height
1968 mm	2438 mm	2438 mm	1885 mm	2258 mm	2258 mm	1873 mm	2177 mm
6' 5 1/2"	8' 0"	8' 0"	6' 2 3/16"	7' 4 57/64"	7' 4 57/64"	6' 1 47/64"	7' 1 45/64"

INTERNAL VOLUME (CUBIC CAPACITY)	MAX GROSS WEIGHT	TARE WEIGHT	MAX PAYLOAD	ALLOWABLE STACKING LOAD (AS A 20' CONTAINER)
9.6 m ³	6,759 kg	1,270 kg	5,489 kg	213,360 Kg
342 ft ³	14,900 lb.	2,800 lb.	12,100 lb.	470,380 lb

WEIGHTS AND DIMENSIONS ARE NOMINAL AND MAY HAVE SMALL VARIATIONS DURING MANUFACTURING